

ASSEMBLY

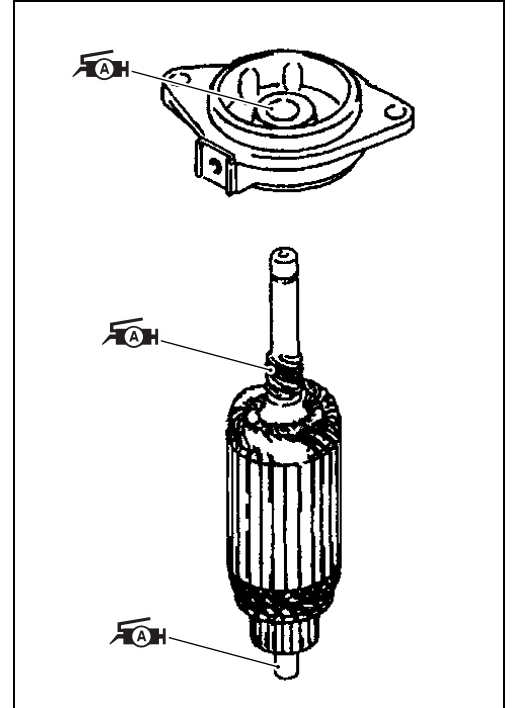
Assembly is reverse of disassembly with special attention to the following steps.

CAUTION

When installing armature, exercise care to avoid breaking brushes.

- Apply the grease to the armature shaft and shaft holes.

 99000-25010: SUZUKI SUPER GREASE "A"

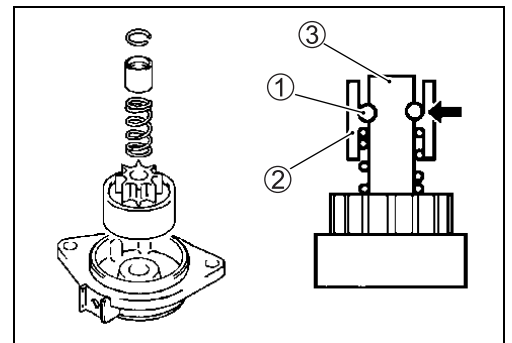
**WARNING**

Wear the safety glasses when disassembling and reassembling the stopper ring.

- Install the pinion, spring, pinion stopper and stopper rings.

NOTE:

Make sure that the stopper rings ① tightly fit in the pinion stopper ② and armature shaft ③.



- Align the notch in the cover (Front & Rear) with the tab on the stator when assembling.



- Tighten the through bolts.

 Through bolt: 4.0 N·m (0.4 kgf·m, 2.9 lb·ft)

