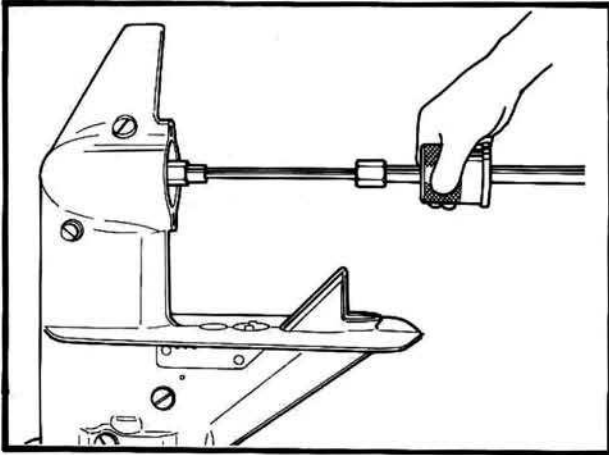
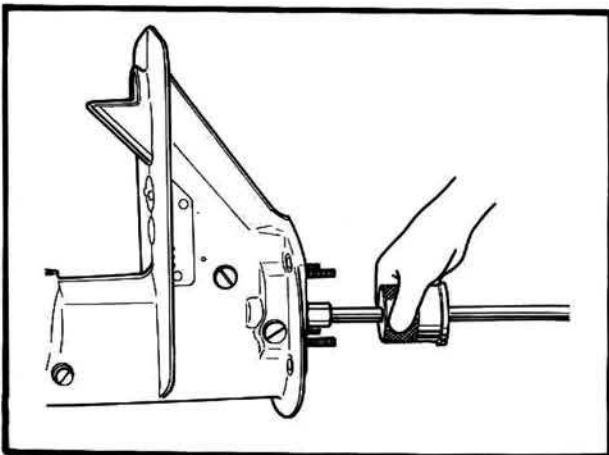


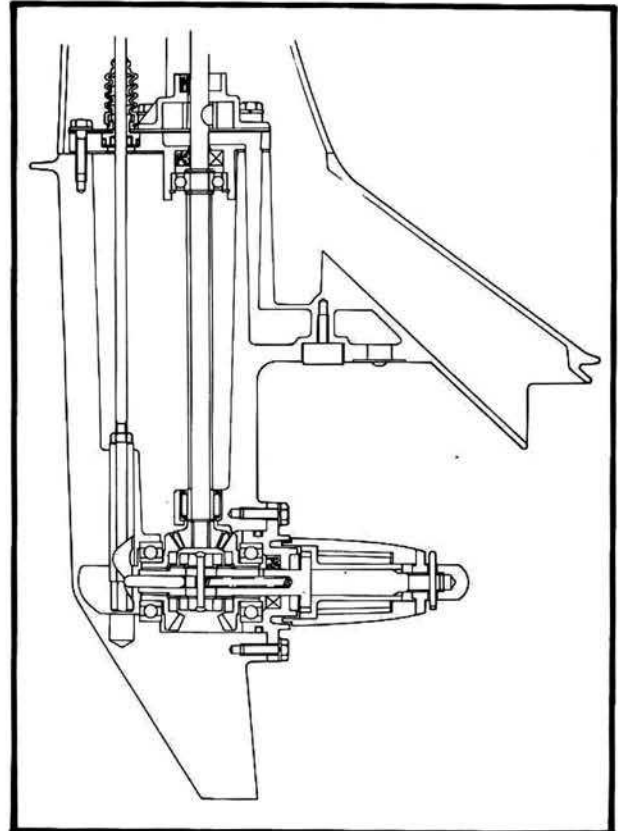
- (13) Using the bearing remover (09913-69911) and Slide shaft (09930-30102), draw out forward gear bearing.



- (14) Using the same remover (09913-69911), and Slide shaft (09930-30102), draw out needle roller bearing.



- Gears for tooth wear.
- Dog part of clutch dog shifter for wear.
- Dog teeth of forward and reverse gears for wear.
- Shifting cam and pushrod for wear.
- "O" rings and oil seals for cracks and damage
- Propeller for wear and distortion.
- Cooling water circuit for clogging.
- Gearcase for rusting, pitting and distortion.



INSPECTION

Wash all parts clean and dry them by using an air gun. Inspect each part and service it, as necessary, or replace it if it is in too bad a condition to repair. Parts to be inspected and items of inspection are as follows:

- Bearings for wear and damage.
- Propeller shaft and drive shaft for wear at the surface in contact with oil seal.