

## LUBRICATION POINTS CONT'D

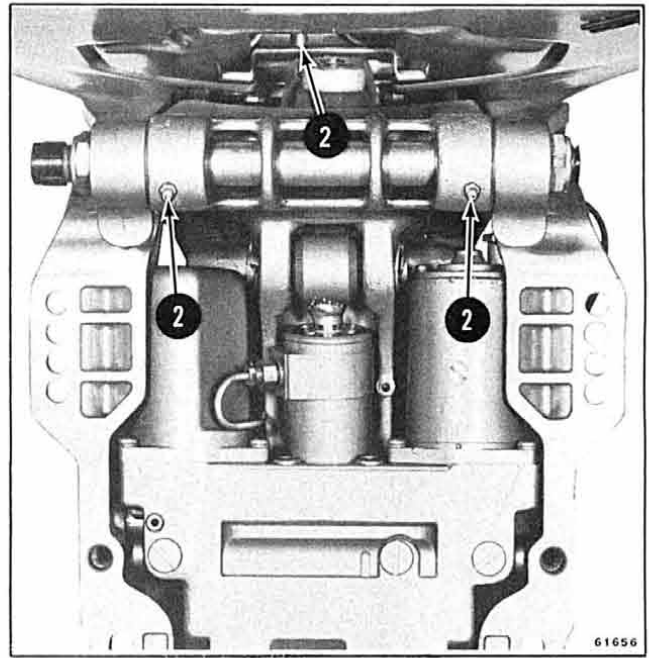
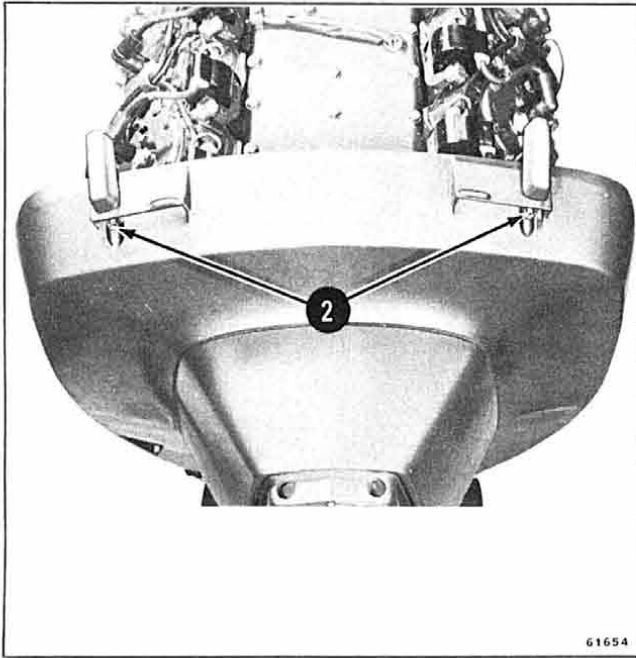


Figure 2-3

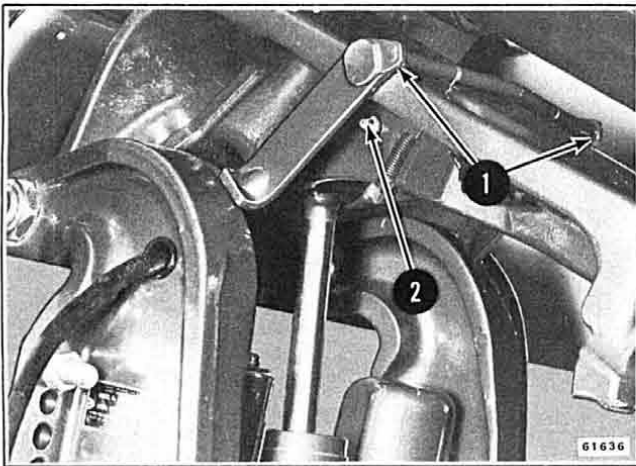


Figure 2-4

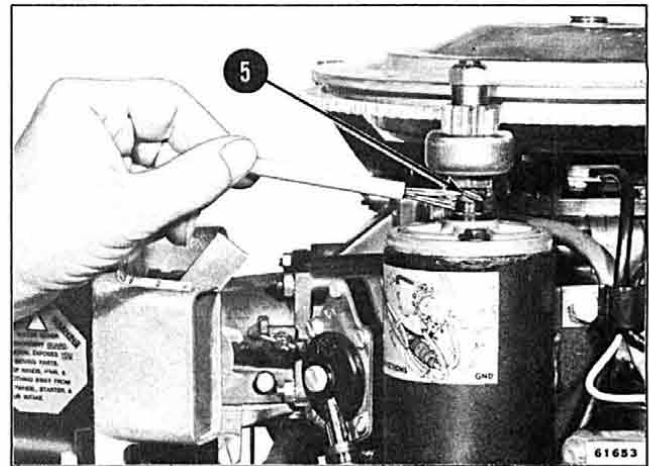


Figure 2-5

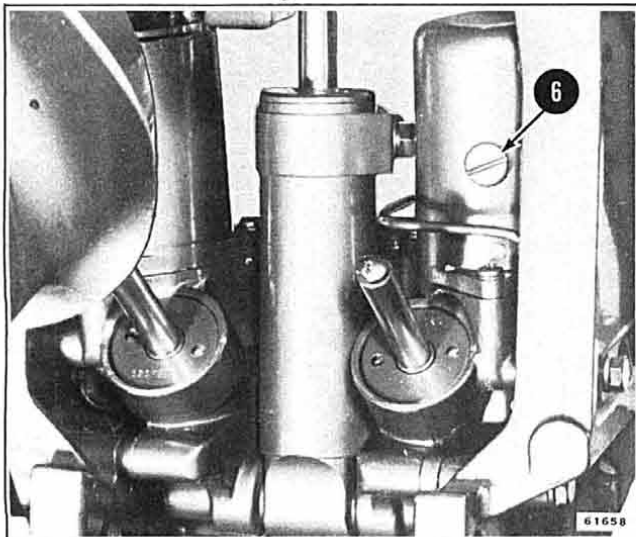


Figure 2-6

\*Trade Mark

1. Grease tube
2. Grease gun
5. Anderol 766
6. OMC Power Trim/Tilt Fluid

### POWER TRIM AND TILT RESERVOIR

Place motor in full tilt position and engage trail lock. See Figure 2-6. Remove filler plug and check fluid level. If necessary, add OMC Power Trim/Tilt Fluid to bring fluid level even with bottom of fill hole. Disengage trail lock and operate unit through several tilt cycles. Recheck fluid level and add fluid if necessary.