

## SPECIAL SERVICE TOOLS

OMC has specially-designed tools to simplify some of the disassembly and reassembly operations. These tools are illustrated in this Service Manual, in many cases in actual use. Refer to the Special Service Tool Catalog for a description and ordering instructions for these tools. Individual purchasers of Service Manuals must order Special Tools through an authorized dealer.

## OUTBOARD MOTOR NOMENCLATURE

Sometimes the words "right" and "left" are very confusing when referring to the sides of an outboard motor. Therefore, the sides are referred to as STARBOARD or PORT sides. STARBOARD means on the right hand while facing the bow (FRONT) of the boat; PORT means left hand. See Figures 1-1 and 1-2.

Service required for the 55 HP motor is generally one of three kinds . . .

1. **NORMAL CARE AND MAINTENANCE**, which includes putting a new motor into operation, storing motors, lubrication, and care under special operating conditions such as salt water and cold weather.
2. **OPERATING MALFUNCTIONS** due to improper motor mounting, propeller condition or size, boat condition, or the malfunction of some part of the motor. This includes motor tune-up procedures to keep the motor in prime operating condition.
3. **COMPLETE DISASSEMBLY** and overhaul, such as inspecting a motor that has been submerged or rebuilding trade-in units.

It is important to you as the service man to determine before disassembly just what the trouble is, and how to correct it quickly and with minimum expense to the owner.

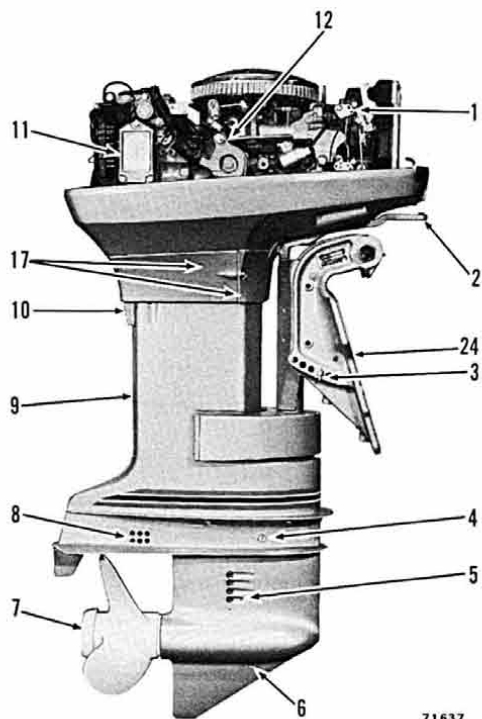


Figure 1-1. Starboard View

1. Carburetors
2. Steering arm
3. Tilt adjustment rod
4. Oil level plug
5. Water intake
6. Oil drain and fill plug
7. Exhaust outlet
8. Water outlet
9. Exhaust housing
10. Exhaust relief
11. Power pack
12. Throttle and shift lever
13. Ignition coils
14. Alternator
15. Electric starter
16. Fuel pump and filter
17. Exhaust covers
18. Tilt and reverse lock lever
19. Air silencer
20. Trim tab
21. Propeller
22. Skeg
23. Gearcase
24. Stern bracket

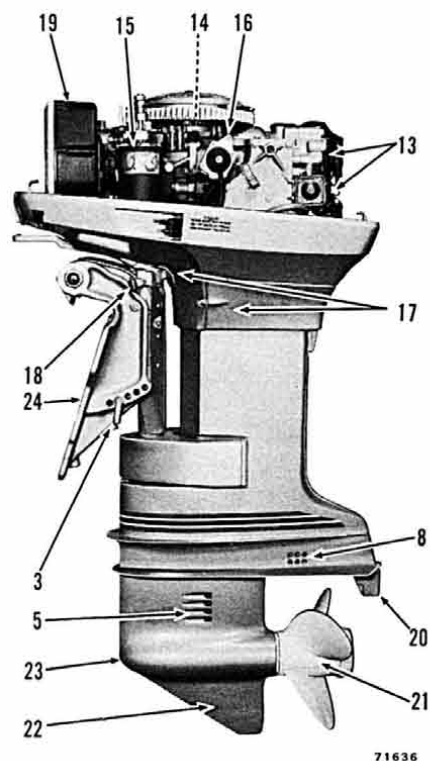


Figure 1-2. Port Side View