

### LUBRICATION POINTS

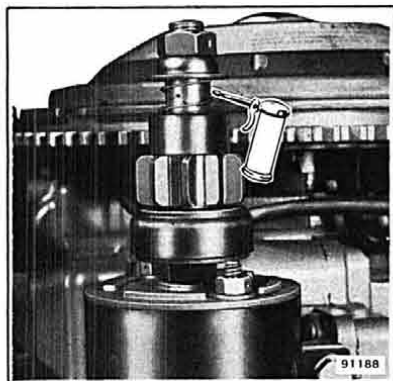


Figure 2-6. Starter Pinion Gear Shaft



Figure 2-5. Swivel Bracket Fitting

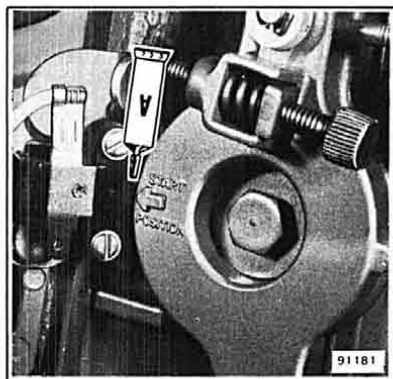


Figure 2-4. Safety Switch Cam

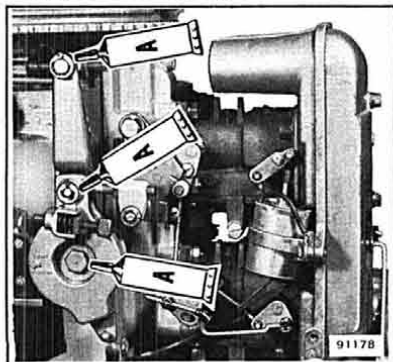


Figure 2-3. Control Shaft Bushings and Control Lever Bearings

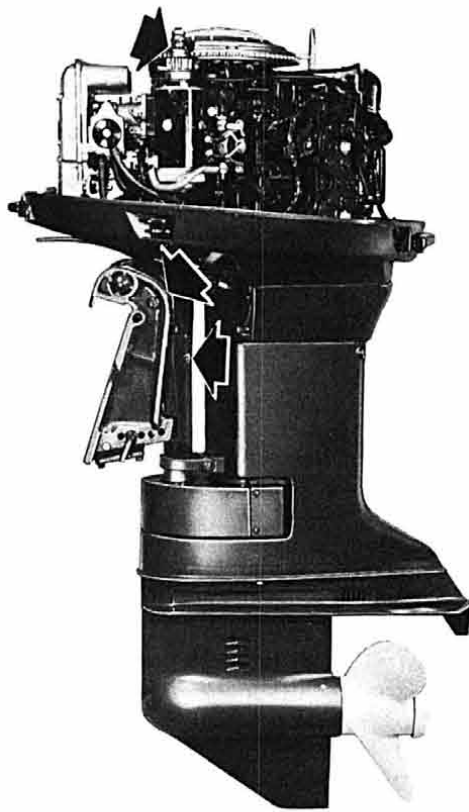


Figure 2-2. Port Side

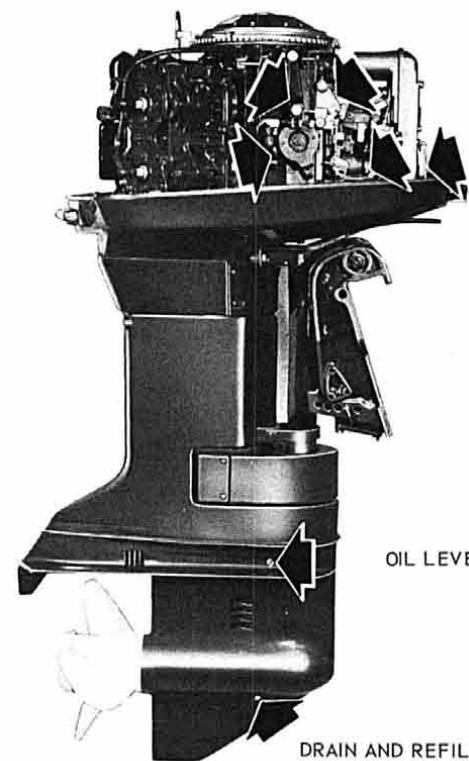


Figure 2-1. Starboard Side

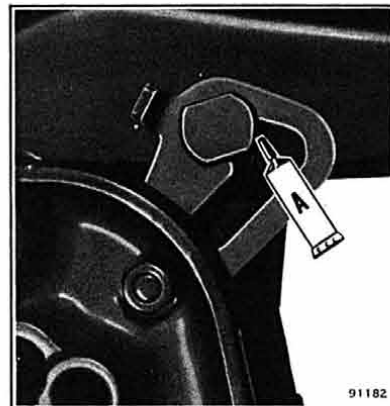


Figure 2-7. Stern Bracket Tilt Lock

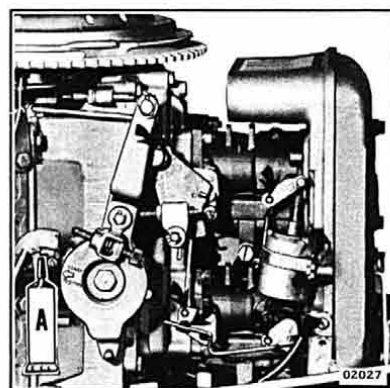


Figure 2-8. Carburetor Linkage

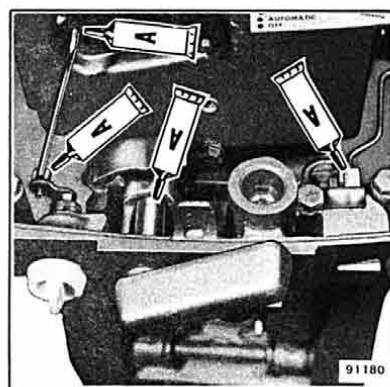


Figure 2-9. Cover Latches, Choke and Low Speed Adjustments

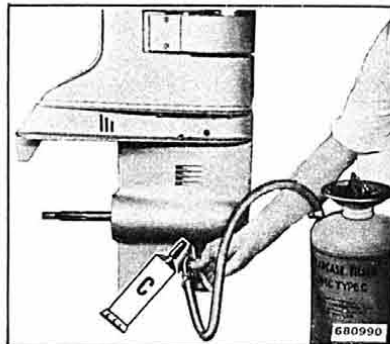


Figure 2-10. Gearcase