

Figure 1-1. Starboard Side, 33 HP Electric Start

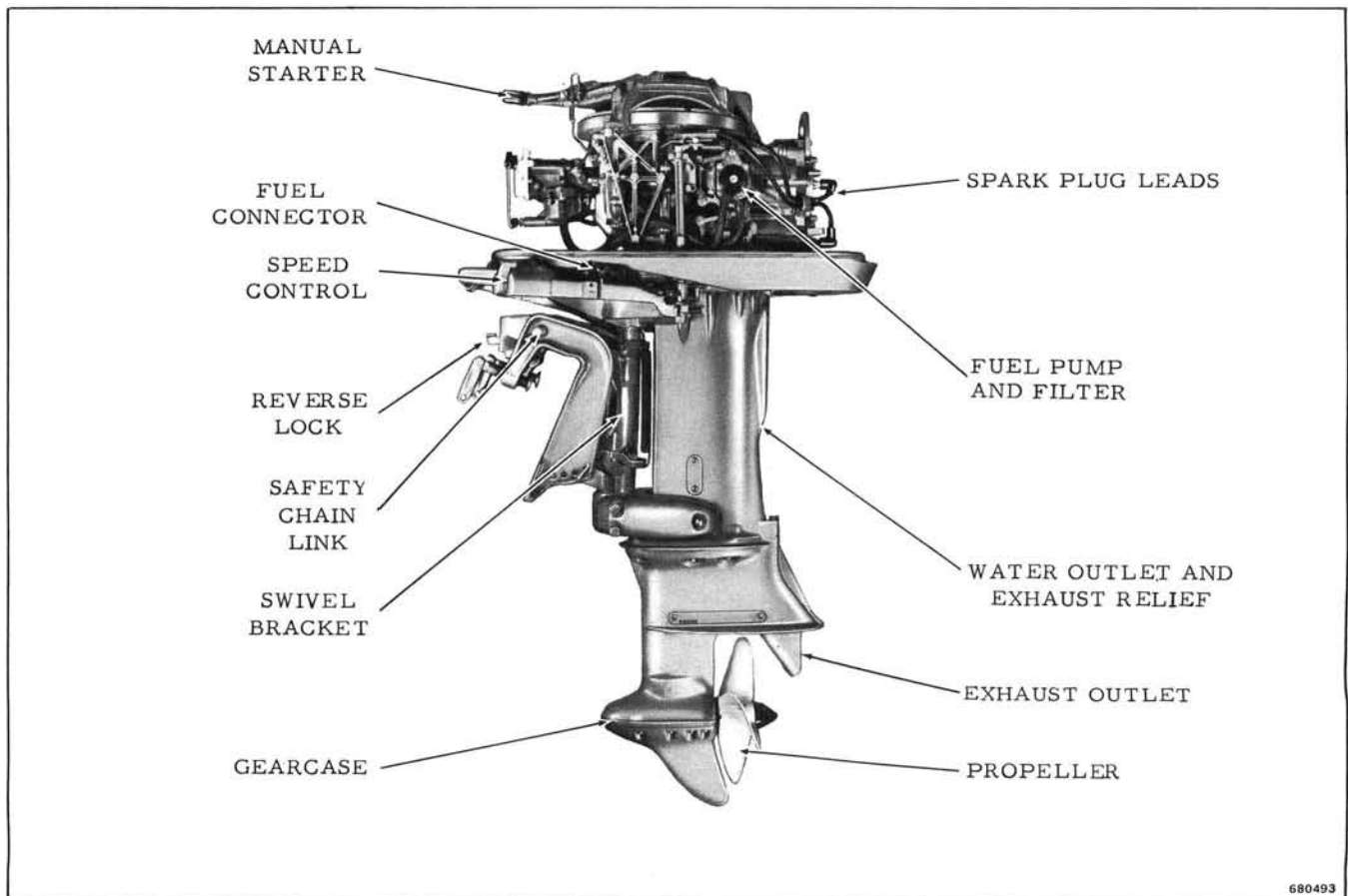


Figure 1-2. Port Side, 33 HP Rope Start