

CAUTION

Be careful not to scratch seal bore when removing seal.

7. Remove seal by prying it out with screwdriver. Figure 10.
8. Remove locating disc from bore of body.

Inspection and Repair. Replacement parts are available individually or in a kit. Water pump kit includes water pump body, impeller, backplate, four (4) screws, and waterline seal.

NOTE

Water pump seal is not included in gear housing seal kit — listed at beginning of Inspection and Repair for gear housing in this section.

1. Inspect water pump impeller. Replace if vanes are worn or damaged.
2. Clean pump body and backplate in solvent.
3. Inspect body and plate for wear or pitting. Replace if excessive.
4. Inspect seal and locating disc.

Reassembly.

Place locating disc in bore of water pump body.

2. Install water pump seal as follows:

- A. Apply grease to lips of seal, Special Tool No. T 2961.
- B. Place new seal, spring side up, on seal bore; press seal in with seal installer, Special Tool No. T 8972. Figure 11.

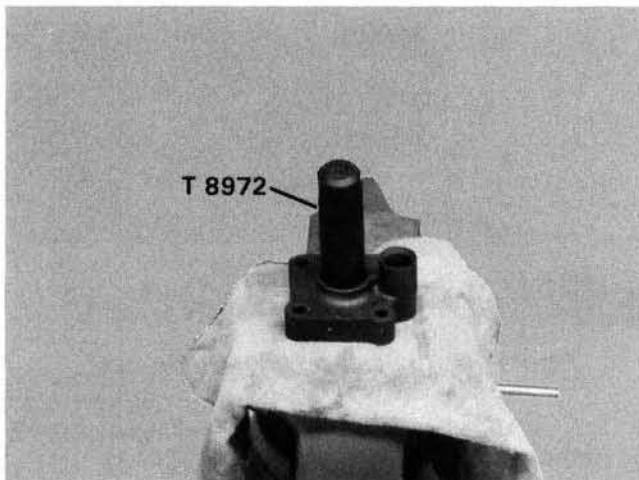


Figure 11. Installing Water Pump Seal.

- C. Place impeller in body so that groove for drive pin is open when viewed from bottom. Figure 12.

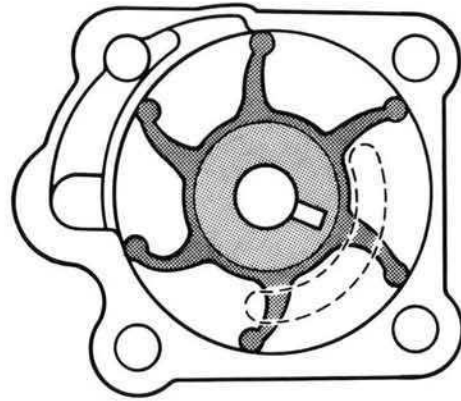


Figure 12. Installing Impeller.

Installation.

1. Place water pump backplate on gear housing.
2. Slide drive pin in hole of driveshaft.
3. Apply liberal amount of grease to end of driveshaft, Special Tool No. T 2961. Carefully guide driveshaft through impeller and driveshaft seal until pump drive pin engages slot in impeller.
4. Apply sealant to threads of screws, Special Tool No. T 8983. Secure pump. Figure 13.

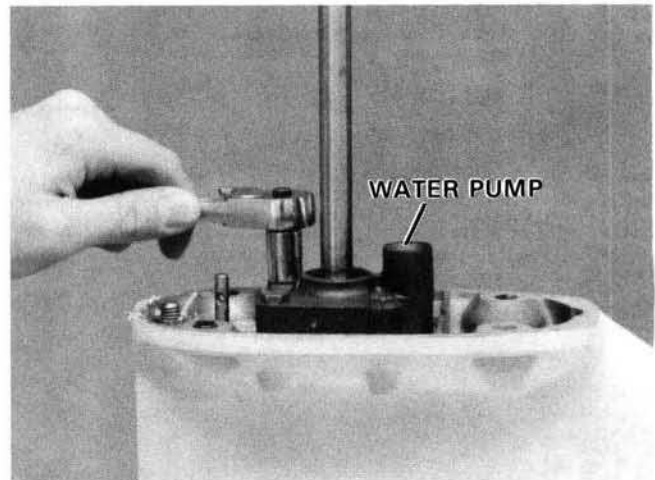


Figure 13. Securing Water Pump.