

# Doors

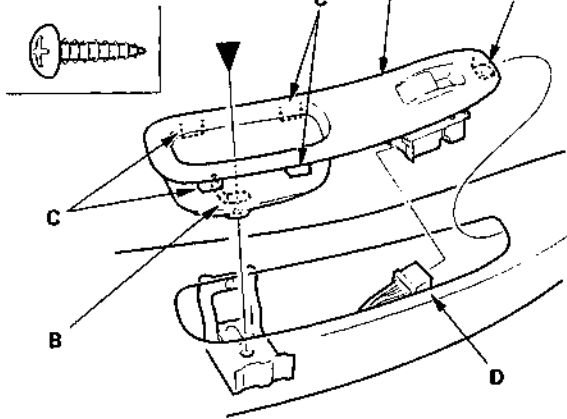
## Rear Door Panel Removal/Installation (cont'd)

3. Power window models: Remove the pull pocket panel (A). Take care not to scratch the door panel.

- 1 Pry out the cap (B), and remove the screw.
- 2 Release the hooks (C), and disconnect the power window switch connector (D).

### Fastener Location

▶ : Screw, 1

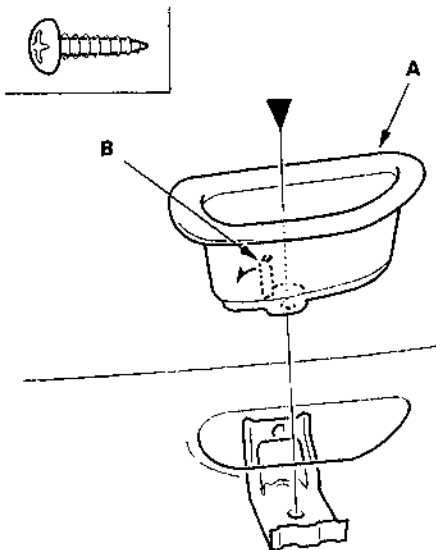


4. Manual window model: Remove the pull pocket (A). Take care not to scratch the door panel.

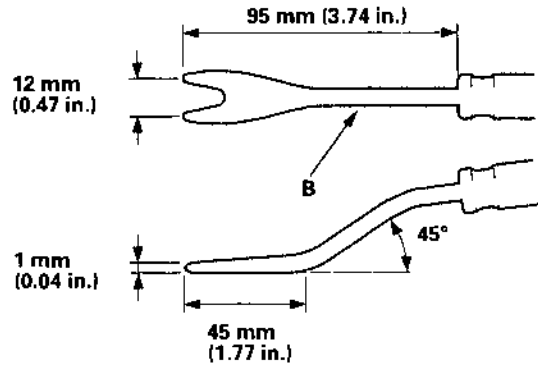
- 1 Pry out the cap (B), and remove the screw.
- 2 Lift out the pull pocket.

### Fastener Location

▶ : Screw, 1



5. Release the clips that hold the door panel (A) with a (commercially available) trim pad remover (B), then remove the door panel by pulling it upward, and removing the courtesy light bulb socket (C). Remove the door panel with as little bending as possible to avoid creasing or breaking it.



### Fastener Locations

▷ : Clip, 7

