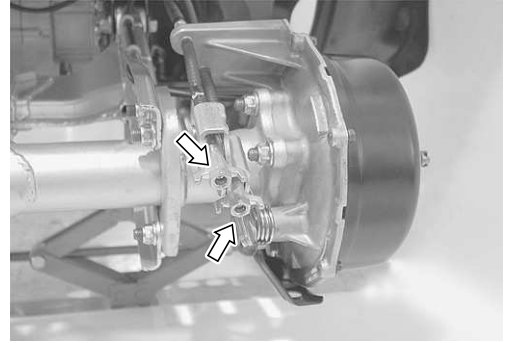


REMOVAL AND DISASSEMBLY

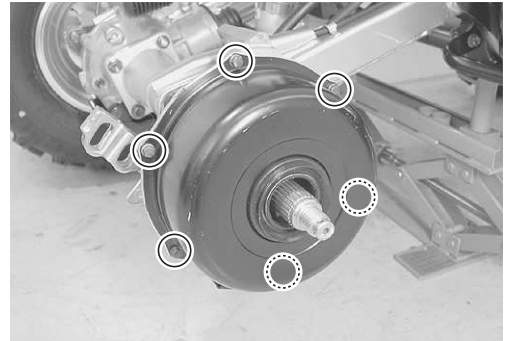
Raise the rear wheel off the ground and support the vehicle with a jack or wooden block.

Remove the right rear wheel hub. (☞ 7-11)

Disconnect the brake cables.



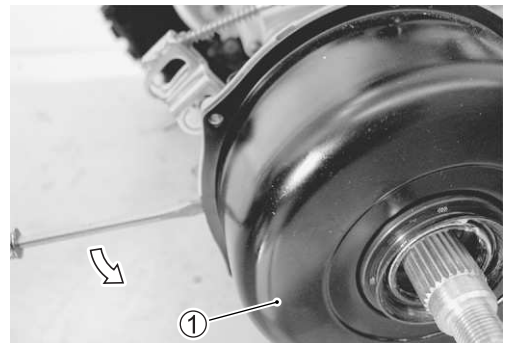
Remove the drum cover bolts.



Remove the drum cover ① with a flat head screwdriver.

CAUTION

- * Be careful not to distort the drum cover.
- * Distortion of drum cover would cause a malfunction of sealing.



Remove the brake drum ②.



Remove the brake shoes ③ and springs ④.

Remove the O-ring ⑤.

NOTE:

If reinstalling the removed brake shoes, mark the brake shoes with direction (leading and trailing) of installation before removing the brake shoes.

