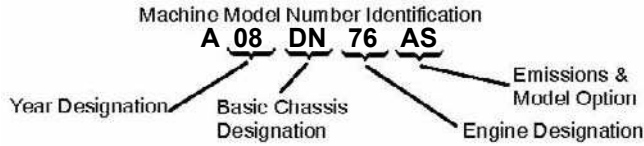


# GENERAL INFORMATION

## MODEL INFORMATION

### Model Number

The machine model number must be used with any correspondence regarding warranty or service.



### Engine Designation Numbers

**EH068OLE** - Twin Cylinder, Liquid Cooled, 4 Stroke, Electric Start

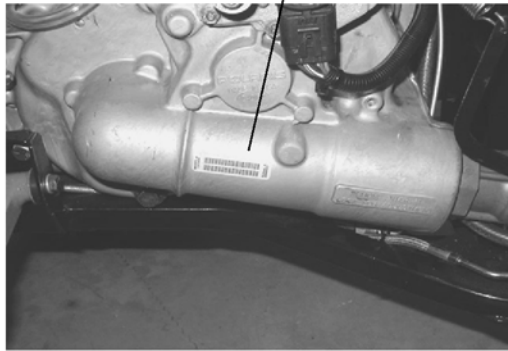
**EH076OLE** - Twin Cylinder, Liquid Cooled, 4 Stroke, Electric Start

### VIN Identification

World Mfg ID			Vehicle Description						Vehicle Identifier							
1	2	3	4	5	6	7	8	9	10	11	12	13	14	15	16	17
4	X	A	D	N	7	6	A	*	8	P	0	0	0	0	0	0
Body Style			Powertrain	Engine	Emissions	Check Digit	Model Year	Plant No.	Individual Serial No.							

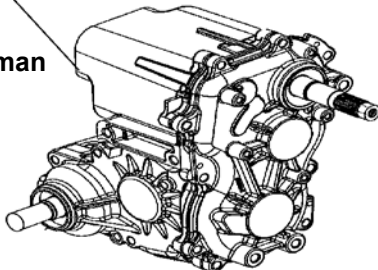
### TRANSMISSION I.D. LOCATION

#### Sportsman X2 and Touring



The transmission I.D. number is located on the right side of machine.

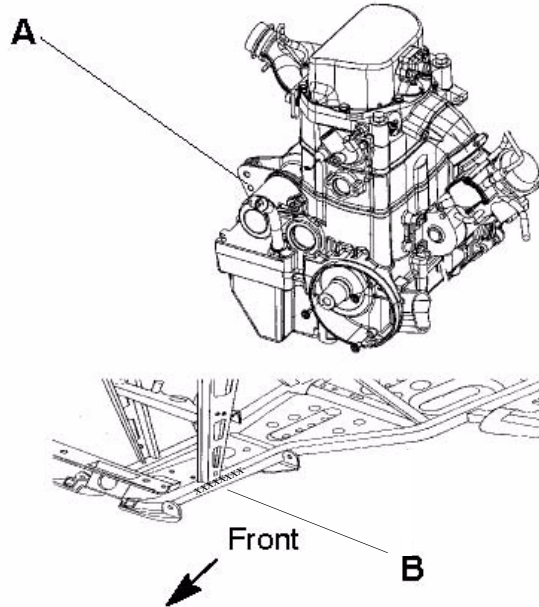
#### Sportsman



### Engine and Machine Serial Numbers

Be sure to refer to the engine model number and serial number whenever corresponding about an engine.

This information can be found on the sticker applied to the top side of the crankcase (A). An additional number is stamped on the side of the crankcase beneath the cylinder coolant elbow.



The machine model number and serial number are important for vehicle identification. The machine serial number is stamped on the lower left side of the frame tube (B).